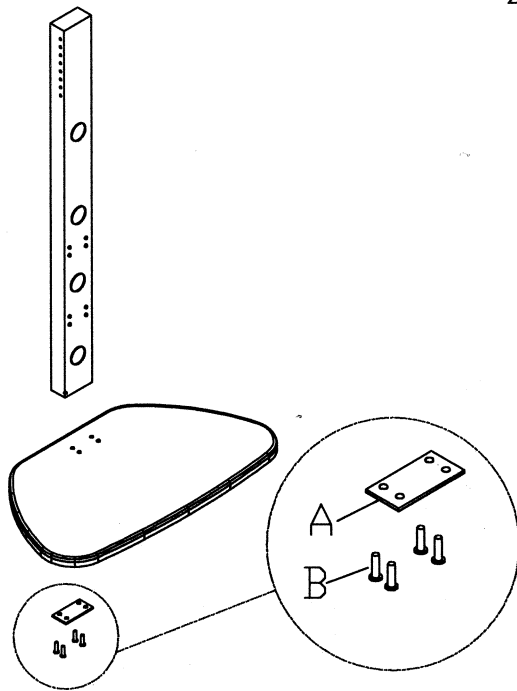
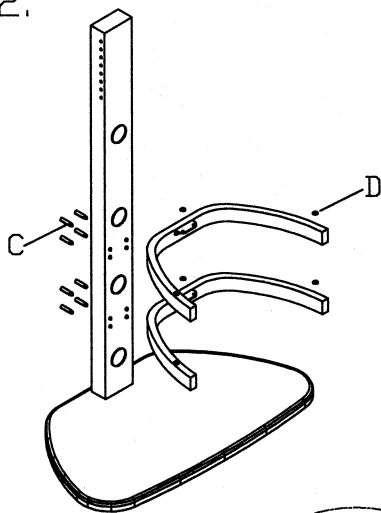


1.

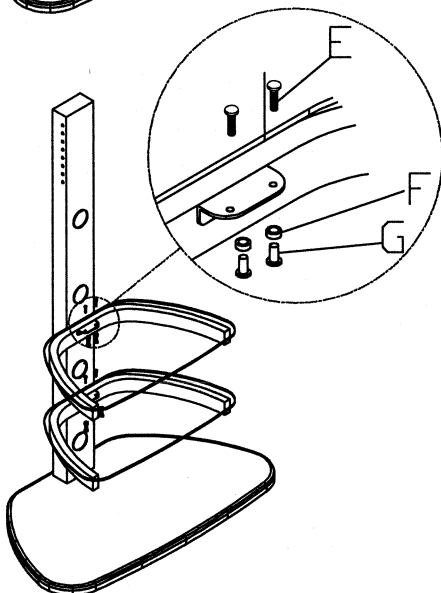


Secure A with screws B from the bottom of the base

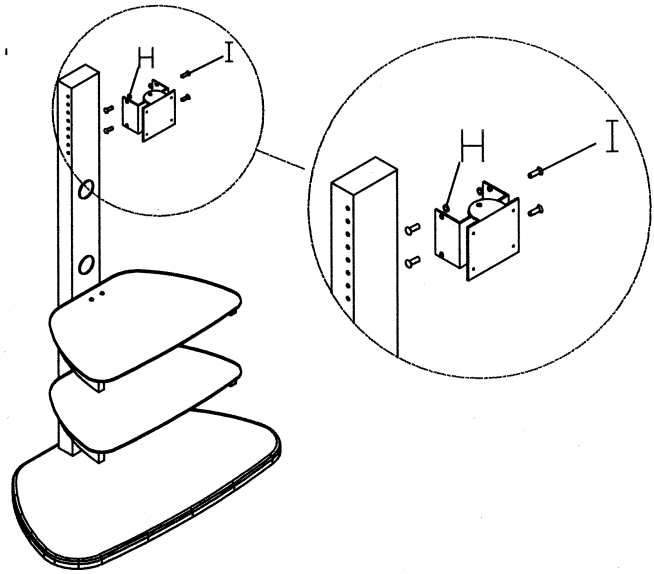
2.



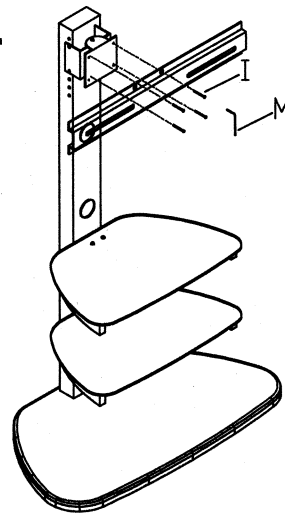
3.



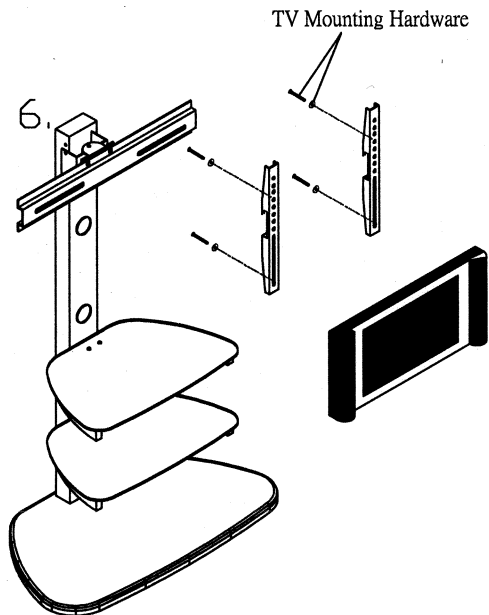
4.



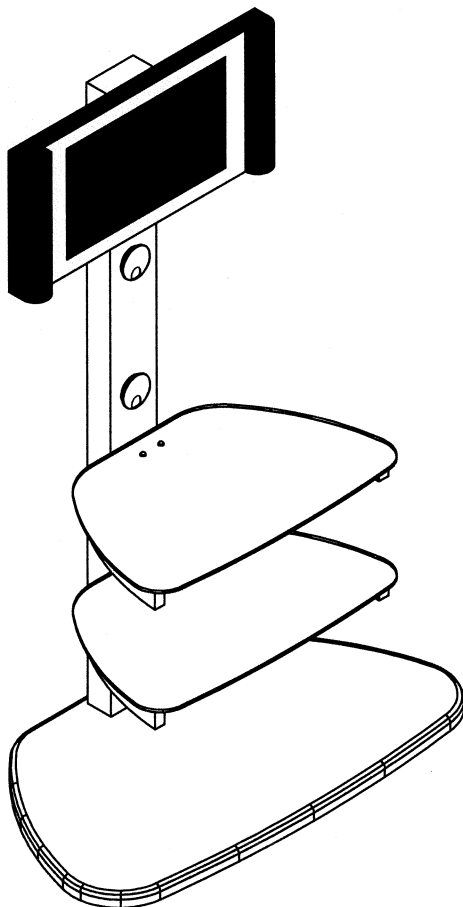
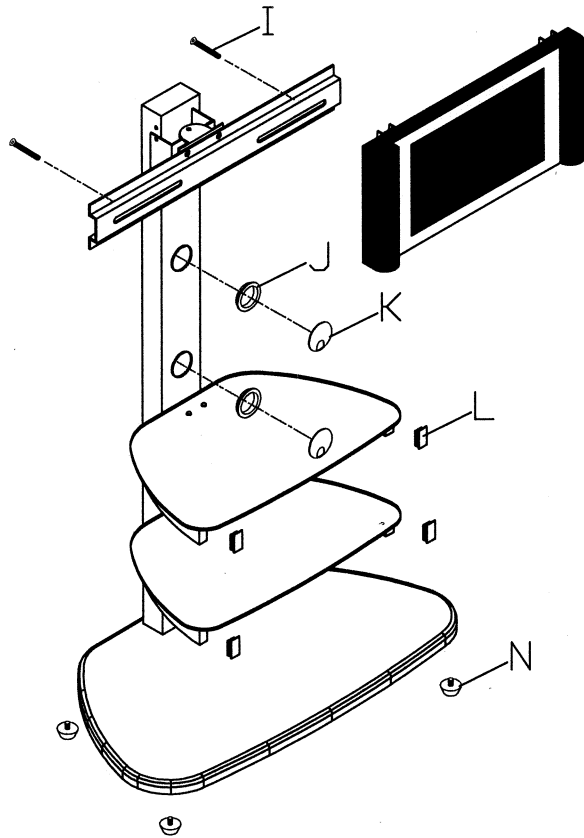
5.



6.



7.



Hardware

| INDEX NO. | DRAW | QTY |
|-----------|------|-----|
| A | | 1 |
| B | | 4 |
| C | | 8 |
| D | | 6 |
| E | | 4 |
| F | | 4 |
| G | | 4 |
| H | | 4 |
| I | | 10 |
| J | | 4 |
| K | | 4 |
| L | | 4 |
| M | | 1 |
| N | | 4 |

TV Mounting Hardware are used as needed to mount flat panel to vertical bars.

| TV Mounting Hardware | | | | | |
|----------------------|--|-----------|----|--|---------------------|
| 1 | | M4*12mm*4 | 10 | | M8*35mm*4 |
| 2 | | M5*12mm*4 | 11 | | φ4mmSpring washer*4 |
| 3 | | M6*12mm*4 | 12 | | φ5mmSpring washer*4 |
| 4 | | M5*15mm*4 | 13 | | φ6mmSpring washer*4 |
| 5 | | M6*25mm*4 | 14 | | φ8mmSpring washer*4 |
| 6 | | M8*25mm*4 | 15 | | φ6*φ16mm*4 |
| 7 | | M4*32mm*4 | 16 | | φ8*φ16mm*4 |
| 8 | | M5*32mm*4 | 17 | | φ16*φ6.5*L-18*4 |
| 9 | | M6*32mm*4 | 18 | | φ20*φ8.5*L-18*4 |